

Move Vibrators Around Easily

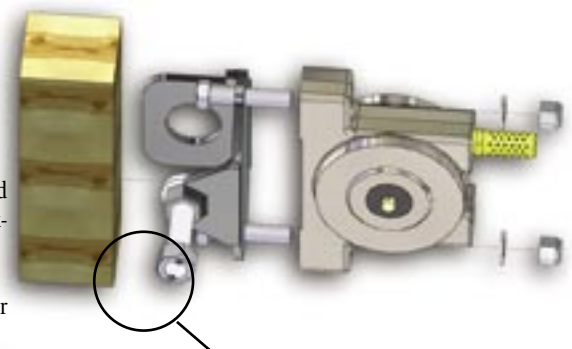
Mounting Brackets for Turboviber® Turbine Vibrators TV-X & TCL Models

TV-X Models

Set Screw Mount Base (VBTV-SSMB) - The SSMB mounts to angle iron members, which are welded to a form or hopper. Four "pinch" set screws hold the vibrator firmly in place for high force output applications. Use with TV-X3/5/7 Models.

Mount Plate (VBTV-MP) - Weld MP to a channel-iron on precast concrete forms, tunnel forms, or any steel surface. "T" slot bolts slide into the bracket and hold the vibrator firmly in place. Easily move vibrator - just loosen the nuts on the bolts and slide the vibrator out of the bracket. Use with TV-X3/5/7 Models.

Wood Vice Clamp (VBTV-VCW) - Simply clamp the bracket to a 4" x 4" wood member by tightening jack screw. Use with TV-X3/5.



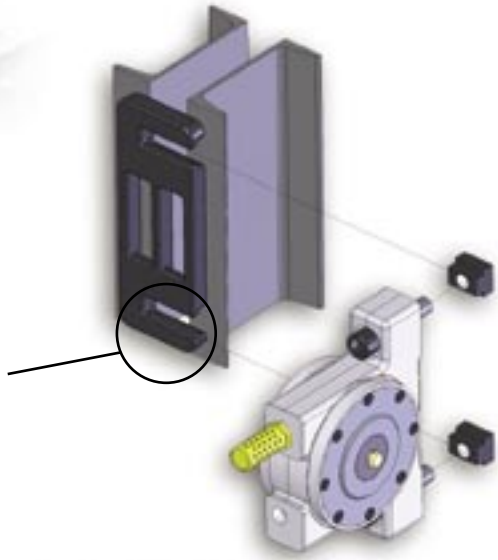
Clamp TV-3X vibrator to a 4" x 4" wooden structural member of the form

Prestress plant permanent concrete form

Clamp bracket to an angle iron



Weld mount plate bracket to a form to allow portability of vibrators



TCL Models

Cradle Lug Base (GCL) - Weld GCL (also known as VCL for Viber Cradle Lug) to a form or hopper. All vibrators with a cradle base housing fit this universal bracket. Slip vibrator lip snugly in the cradle and tighten one nut. Use with all TCL Models.

Cradle Lug with Wedge Base (GCL/GBM) - Wedge base fits in all railcar hopper pockets. Attach vibrator to bracket and slide into pocket for fast railcar unloading. Use with all TCL Models.

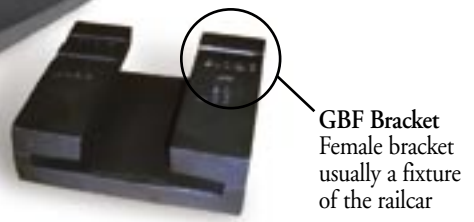
Simply twist nut to secure vibrator to bracket



Consolidating concrete in a form for a floating bridge

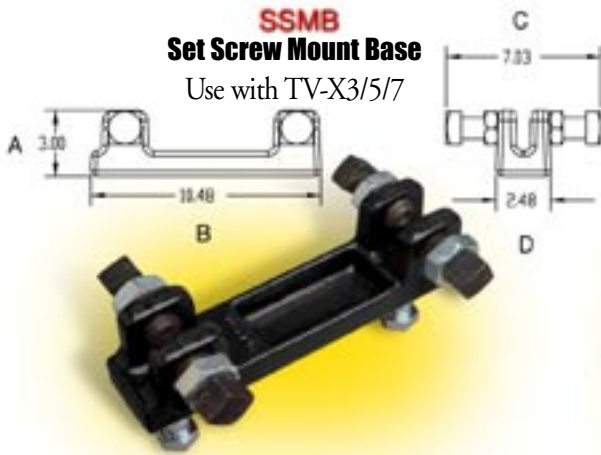


Perfect for unloading railcars hauling fine particles

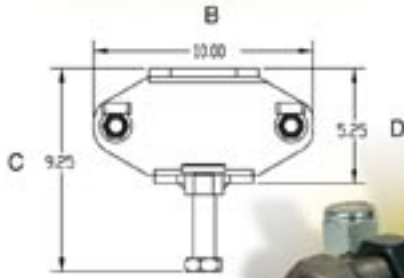
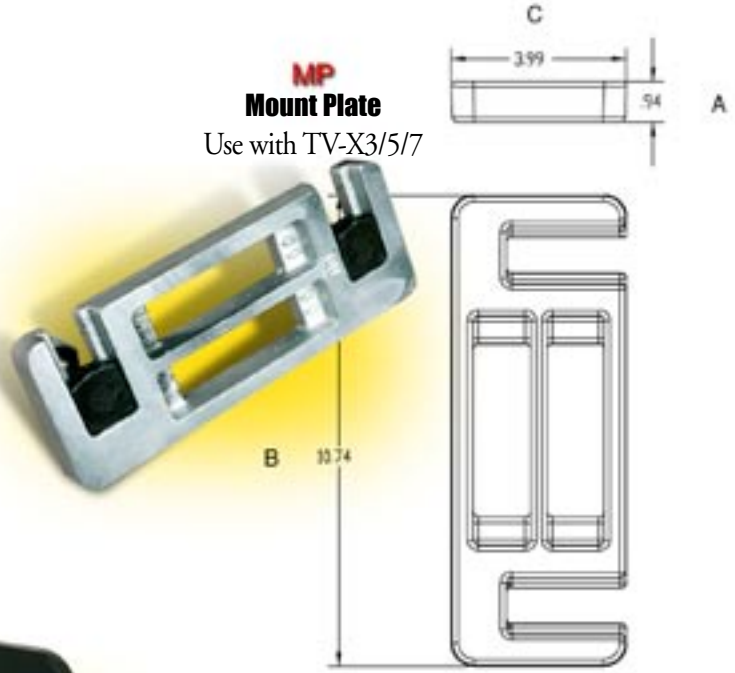


GBF Bracket Female bracket usually a fixture of the railcar

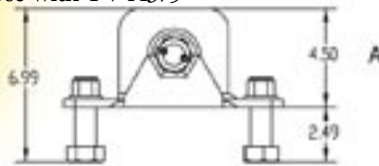
SSMB
Set Screw Mount Base
Use with TV-X3/5/7



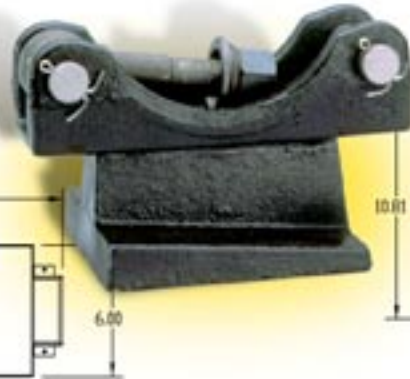
MP
Mount Plate
Use with TV-X3/5/7



VCW
Wood Vice Clamp
Use with TV-X3/5



GCL
Cradle Lug Base
Use with all TCL Vibrators



GCL/GBM
Cradle Lug with Wedge Base
Use with all TCL Vibrators

DIMENSIONS FOR BRACKETS

BRACKET MODEL	WEIGHT		A		B		C		D		BRACKET STYLE	MODEL USED WITH
			HEIGHT		LENGTH		WIDTH		BASE WIDTH			
	LBS	KG	IN	MM	IN	MM	IN	MM	IN	MM		
SSMB	13.8	6.3	3.00	76	10.48	266	7.03	179	2.48	63	Set Screw	TV
MP	6.5	3	.94	24	10.74	273	3.99	101			Mount Plate	TV
VCW	10.4	4.7	4.50	146	10.0	254	9.25	241	5.25	133	Wood Clamp	TV
GCL	10.7	4.9	2.69	68	9.34	239	4.16	110	3.15	80	Cradle Lug	TCL
GCL/GBM	26	14.8	5.69	145	9.34	237	6	152	6	153	Cradle Wedge Base	TCL